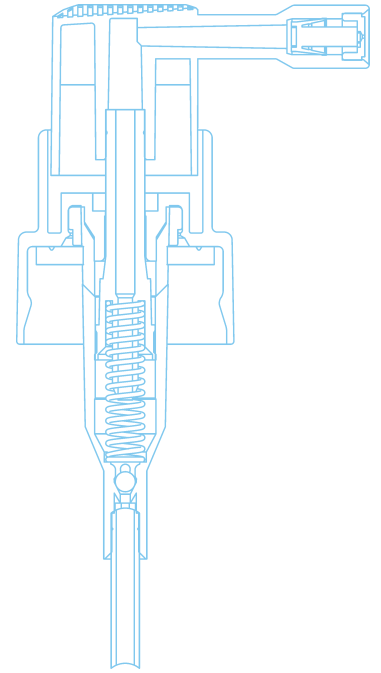




# Otological Application System

High Performance for OTC and Prescription Drugs

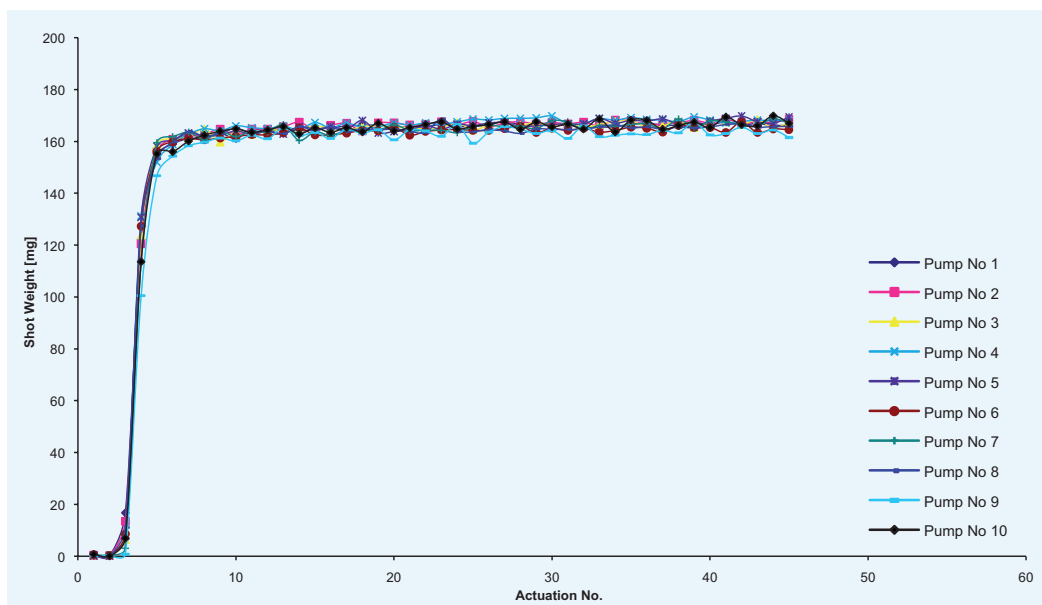
APPLICATION SYSTEMS FOR THE HIGHEST STANDARDS



## Performance

- Reproducible dose size
- Fast priming
- Excellent re-priming properties
- Product backflow prevention
- Patented
- Ergonomic user friendly design
- Suitable for liquid and viscose products

AP3 throat pump – Priming and Dose Consistency (exemplified illustration)



## Availability

- Coverage of wide dose size range from 100 mg – 180mg
- Manufactured in clean rooms ISO 7
- DMF available

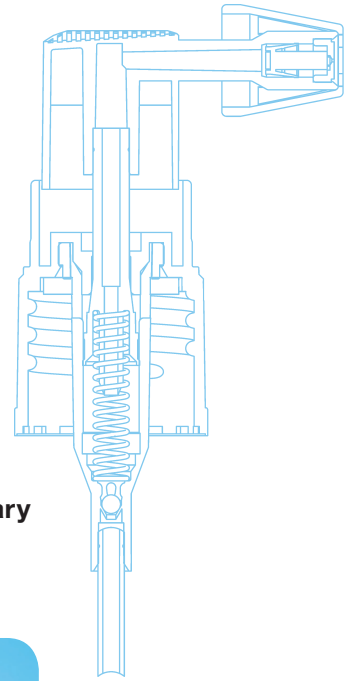
## Features

- Suitable for snap-on and screw-on bottles
- Filling on standard pump filling equipment possible

Please speak with us about your requirements for a complementary packaging.



Snap-on and Screw-on neck finish available for various containers made of standard materials as PE, PET or Glass.



Aero Pump products are optimized for the most sensitive of all applications: human health. Our customers rightly expect cutting-edge technology, but they get even more than that: custom solutions for individual products through to complete systems.

## Specials



**Ear adapter for throat pumps** – Ear spray for viscous and liquid formulations. Available with snap-on and screw-on neck finish.



**Cover Cap for throat spray** – The caps are designed to be delivered as one unit mounted onto the throat pump.



Aero Pump GmbH  
Dr.-Ruben-Rausing-Straße 5  
D-65239 Hochheim/Main  
Phone: +49 (0) 61 46 - 603-0  
Fax: +49 (0) 61 46 - 603-100  
E-Mail: [sales@aeropump.de](mailto:sales@aeropump.de)  
Internet: [www.aeropump.de](http://www.aeropump.de)



Pharmazeutische  
Applikationssysteme